



BIOTRITURATORE ELIET

PROF IV

ESPLOSO RICAMBI

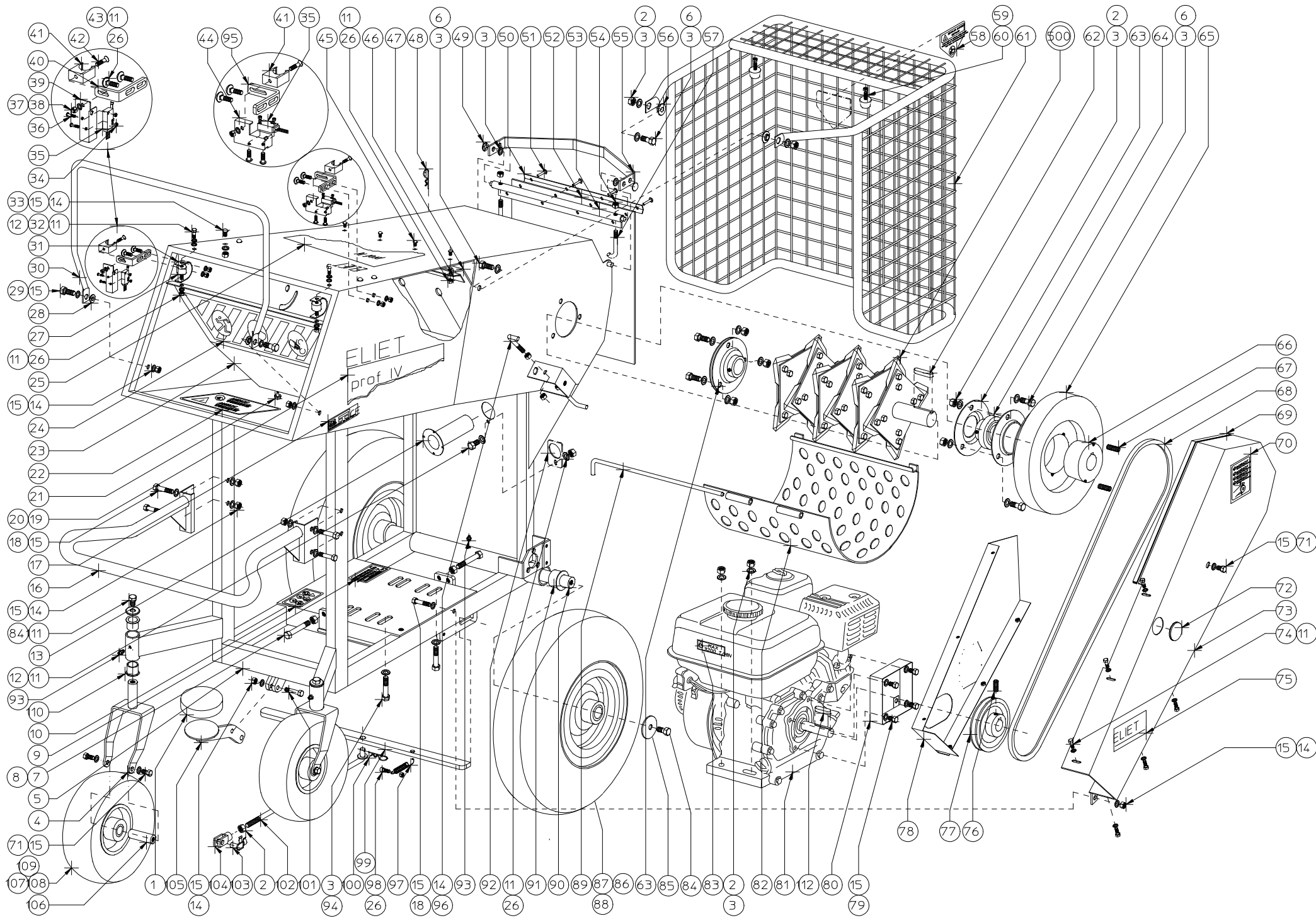
ELIET SPARE PARTS MANUAL

PROF IV (VERSION 2)

GENERAL OVERVIEW ASSEMBLYLISTS

	LIST NUMBER	DESCRIPTION	DRAWING NR.	BUILT AFTER
1	ASSEMBLYLIST 1	GENERAL ASSEMBLY MACHINE	MMA 01 050 110-2	01/01/2003
2	ASSEMBLYLIST 2	HYDRO KIT INFEEDROLLER	MMA 01 050 120-2	01/01/2003
3	ASSEMBLYLIST 3	WHEELTRANSMISSION	MMA 01 050 130-2	01/01/2003
4	ASSEMBLYLIST 4	ROTOR	MMA 01 050 140-1	01/01/2003

	OLI IDRAULICO	TIPO	HV46	
--	---------------	------	------	--



ELIET PROF IV -- STANDART					
NO	MMA-01.050.110	REV	2	DATE	2005/01/03

ELIET SPARE PARTS MANUAL

PROF IV (VERSION 2)

ASSEMBLYLIST 1

GENERAL ASSEMBLY MACHINE

MMA 01 050 110-2

ITEM	PART NUMBER	DESCRIPTION	QUANTITY
1	BR 900 000 110	RUBBER SOCKS DIA 90X18MM	1
2	BS 502 001 000	SELF LOCKING NUT M10 DIN985	12
3	BS 531 001 000	WASHER M10 DIN125	24
4	MPA 01 050 610	WHEEL FORK	1
5	MPA 01 050 600	CHASSIS	1
6	BS 512 001 025	BOLT M10X25 DIN933	8
7	BS 501 001 000	NUT M10 DIN 934	2
8	BS 512 001 048	BOLT M10X80 DIN 933	2
9	BQ 505 010 040	SAFETY STICKER 60X100 (SPARK PLUG)	1
10	BQ 505 010 050	SAFETY STICKER 60X100 (PICTOGRAM)	1
11	BS 531 000 600	WASHER M6 DIN 125	20
12	BS 512 000 616	BOLT M6X16 DIN 933	3
13	MPA 01 050 180	MUFFLER PIPE	1
14	BS 502 000 800	SELF LOCKING NUT M8 DIN985	23
15	BS 531 000 800	WASHER M8 DIN 125	31
16	MPA 01 050 060	BRACKET	1
17	BQ 505 010 010	IDENTITY STICKER CE120X30	1
18	BS 511 000 842	BOLT M8X50 DIN 931	5
19	BQ 501 050 020	STICKER ELIET PROF IV (R)	1
20	BQ 501 050 010	STICKER ELIET PROF IV (L)	1
21	BR 602 006 151	RUBBER BUMPER	2
22	BQ 505 010 110	SAFETY STICKER 135X200 (INFEED)	1
23	MPA 01 050 090	SAFETY SHIELD	1
24	BQ 505 010 100	SAFETY STICKER 465X200 (SHIELD)	1
25	BQ 505 050 050	STICKER ELIET PROF IV (U)	1
26	BS 502 000 600	SELF LOCKING NUT M6 DIN 985	11
27	BR 600 220 150	ANTIVIBRATION BLOCKS 20X15B M6X15	2
28	BR 112 080 300	NYLON BUSHING WITH COLAR (8.2/10.9/18x3.5/1.5)	2
29	BS 512 000 820	BOLT M8X25 DIN 933	2
30	MPA 01 050 070	SAFETY HANDLE	1
31	BR 910 000 020	RETAINER ERTALON 80X20X2	2
32	BS 534 000 600	LOCK WASHER M6 DIN 6798A	2
33	BS 554 100 816	BOLT M8X16 DIN 603	4
	BE 129 000 070	SAFETY SWITCH ENTIRE KIT (BRACKET):	
34	BS 502 000 300	SELF LOCKING NUT M3 DIN 985	4
35	BE 120 010 503	SAFETY SWITCH	2
36	BS 522 500 316	SCREW M3X16 ISO 7380	4
37	BS 505 500 500	NUT M5 DIN 1587	2
38	BS 531 000 500	WASHER M5 DIN 125	1
39	MPA 01 010 210	COVER PLATE FOR SAFETY SWITCH	1
40	MPA 01 010 230	BRACKET FOR SAFETY SWITCH	1
41	BT 654 002 000	CLAM 20MM	2

ELIET SPARE PARTS MANUAL

PROF IV (VERSION 2)

ASSEMBLYLIST 1

GENERAL ASSEMBLY MACHINE

MMA 01 050 110-2

ITEM	PART NUMBER	DESCRIPTION	QUANTITY
42	BS 522 100 525	SCREW M5X25 DIN 7991	0
43	BS 554 100 620	BOLT M6X20 DIN 603	4
	BE 129 000 060	SAFETY SWITCH ENTIRE KIT (EARTH):	
44	MPA 01 010 200	COVER PLATE FOR SAFETY SWITCH	1
45	BS 554 100 616	BOLT M6X16 DIN 603	4
46	MPA 01 050 100	RETAINER FOR ANTI PROJECTION FLAP (INSIDE)	1
47	BR 900 001 230	RUBBER ANTI PROJECTION FLAP (INSIDE)	1
48	BB 040 102 040	HAIRPIN COTTER 2MM	1
49	BB 011 000 090	STARLOCK 9MM	2
50	MPA 01 050 110	RETAINER FOR ANTI PROJECTION FLAP (REAR)	1
51	BB 221 105 160	POP PLUG ALU 4.8X16	4
52	BR 900 001 040	RUBBER ANTI PROJECTION FLAP	1
53	MPA 01 050 120	RAPID FASTENER FOR GRATING	1
54	BS 501 000 800	NUT M8 DIN 934	2
55	MPA 01 050 130	HANDLE FOR RAPID FASTENER	1
56	BR 112 100 600	NYLON BUSHING WITH COLAR (10/13.5/25x6/2.5)	2
57	MPA 01 070 400	HOOK FOR RAPID FASTENER	2
58	BQ 505 010 070	SAFETY STICKER 100X80 (HANDCUTS)	1
59	BS 501 000 600	NUT M6 DIN 934	2
60	BR 600 425 170	ANTIVIBRATION BLOCKS 25X17 M6X18 K/D	2
61	MPA 01 050 050	REAR SAFETY GUARD	1
62	BB 341 100 850	KEY 10X8X50	1
	BL 801 103 500	KIT BEARING ASPFL 207 COMPLETE:	
63	BL 711 503 501	FLANGE FOR BEARING	2
	BL 711 503 502	PROTECTED FLANGE FOR BEARING	2
64	BL 513 507 203	BEARING AS 207	2
65	BA 565 717 001	PULLEY & FLYWHEEL SPA 170 TL 2517	1
65	BA 566 717 010	PULLEY & FLYWHEEL SPB 170 TL 2517 PROF IV EVO	1
66	BB 501 163 500	TAPERLOCK TL 2517-35	1
67	BB 501 313 250	SET SCREW 1/2"X1"	2
68	BA 521 218 000	BELT XPA 1800	1
68	BA 521 219 500	CINGHIA PROF IV EVO XPA1950 =001655	1
68	BA 527 619 500	CINGHIA PROF IV EVO SPB1950	1
69	BR 000 911 000	RUBBER GUARD EDGING	1
70	BQ 505 010 130	SAFETY STICKER 100X80 (BELT TRANSMISSION)	1
71	BS 512 000 816	BOLT M8X16 DIN 933	1
72	BR 500 103 800	RUBBER PLUG 42X38X1.6	1
73	MPA 01 050 030	BELT TRANSMISSION GUARD	1
74	BS 512 000 612	BOLT M6X12 DIN 933	6
75	BQ 501 010 020	STICKER ELIET 130X60	1
76	BS 023 000 810	SET SCREW M8X10 DIN 916	2
77	BA 565 711 201	PULLEY SPA 112 (ENGINE)	1

ELIET SPARE PARTS MANUAL

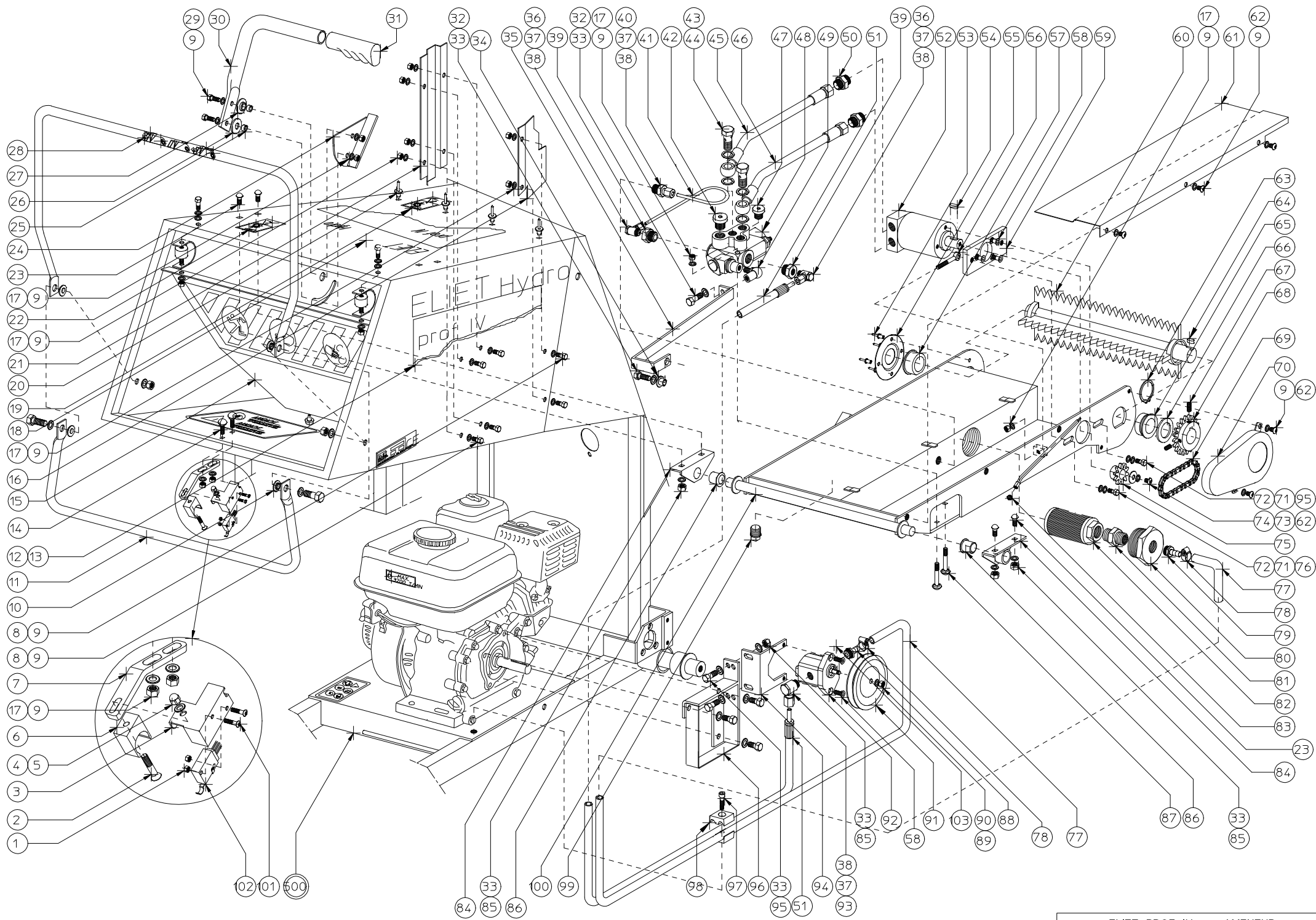
PROF IV (VERSION 2)

ASSEMBLYLIST 1

GENERAL ASSEMBLY MACHINE

MMA 01 050 110-2

ITEM	PART NUMBER	DESCRIPTION	QUANTITY
77	BA xxx xxx xxx	PULLEY SPB 112 (ENGINE) PROF IV EVO	1
78	MPA 01 050 040	COVER TRANSMISSION GUARD	1
79	BS 511 041 019	BOLT UNF 3/8"X3/4"	4
80	MPA 01 050 140	PROTECTION GUARD CRANKSHAFT	1
81	ENGINE	SEE BOTTOM OF THE PAGE	1
82	MPA 01 050 020	STANDARD GRATING 25MM	1
83	BQ 505 010 030	STICKER MAX 3200 RPM 90X25	1
84	BS 512 001 016	BOLT M10X16 DIN 933	2
85	BS 532 010 406	WASHER M10X40X3	2
86	BW 914 500 020	TIRE 5.00-8	2
87	BW 914 500 030	TUBE 5.00-8	2
88	BW 708 025 050	RIM 300DX8	2
86 + 87+ 88	BW 045 025 010	WHEEL 5.00-8:	2
89	MPA 01 050 150	LOCKING ROD FOR GRATING	1
90	MPA 01 050 160	WHEEL AXLE	1
91	BR 112 263 000	NYLON BUSHING WITH COLAR (26/42/48x30/2)	2
92	MPA 01 050 170	BRACKET FOR MUFFLER EXTENSION PIPE	1
93	BY 100 106 100	GREASE FITTING M6	1
94	BS 511 001 041	BOLT M10X45 DIN 931	4
95	MPA 01 010 220	BRACKET FOR SAFETY SWITCH	1
96	MPA 01 010 180	BELT GUIDE	2
97	BV 912 000 030	SPRING	2
98	BS 512 000 620	BOLT M6X20 DIN 933	2
99	MPA 01 050 630	BRAKE	1
100	BB 040 102 040	HAIRPIN COTTER 2MM	1
101	BS 511 000 840	BOLT M8X40 DIN 931	1
102	MPA 01 050 640	BRAKE ROD	1
103/104	BS 556 001 000	LOCKING PIN 10X20	1
105	MPA 01 050 650	BRAKE PEDAL	1
106	MPA 01 050 620	WHEEL AXLE	2
107	BW 025 020 010	WHEEL COMPLETE 3.00-4:	2
108	BW 912 450 020	WHEEL 3.00-4	2
109	BW 912 450 030	TIRE 3.00-4	2
110	BR 112 202 100	NYLON BUSHING WITH COLAR (20/24/29x21/1)	2
111	BS 532 010 305	WASHER M10X30X2	2
112	BB 342 060 635	KEY 6.4X6.4X35	1
81	BM 202 113 000	ENGINE HONDA GX 390 13HP	1
81	BM 201 313 000	ENGINE B&S VANGUARD 13HP	1



ELIET PROF IV -- AMEUR				
NO	MMA-01.050.120	REV	2	DATE
				2005/01/03

ELIET SPARE PARTS MANUAL

PROF IV (VERSION 2)

ASSEMBLYLIST 2

HYDRO KIT INFEEDROLLER

MMA 01 050 120-2

ITEM	PART NUMBER	DESCRIPTION	QUANTITY
	BE 129 000 080	SAFETY SWITCH ENTIRE KIT (BRACKET):	
1	BS 502 000 300	SELF LOCKING NUT M3 DIN 985	2
2	BS 522 100 525	SCREW M5X25 DIN 7991	2
3	MPA 01 010 210	COVER PLATE FOR SAFETY SWITCH	2
4	BS 505 500 500	NUT M5 DIN 1587	1
5	BS 531 000 500	WASHER M5 DIN 125	1
6	BT 654 002 000	CLAM 20MM	1
7	MPA 01 010 240	BRACKET FOR SAFETY SWITCH	1
8	BS 512 000 616	BOLT M6X16 DIN 933	6
9	BS 531 000 600	WASHER M6 DIN 125	23
10	BR 112 080 300	NYLON BUSHING WITH COLAR (8.2/10.9/18x3.5/1.5)	2
11	MPA 01 050 350	SAFETY HANDLE BAR	1
12	BQ 501 050 040	STICKER ELIET PRO IV HYDRO (R)	1
13	BQ 501 050 030	STICKER ELIET PRO IV HYDRO (L)	1
14	BS 554 100 620	BOLT M6X20 DIN 603	2
15	MPA 01 050 340	ANTI PROJECTION SHIELD	1
16	MPA 01 050 330	COVERPLATE INFEEDROLLER	1
17	BS 502 000 600	SELF LOCKING NUT M6 DIN 985	8
18	BQ 501 050 060	STICKER ELIET PROF IV HYDRO (U)	1
19	BQ 501 050 070	STICKER LIFTHANDLE DOWN	1
20	BB 221 106 160	POP PLUG ALU 6X16	4
21	MPA 01 050 320	COVER HYDRAULIC PIPING	1
22	BQ 501 050 080	STICKER LIFTHANDLE UP	1
23	BS 554 100 816	BOLT M8X16 DIN 603	4
24	MPA 01 050 300	HINGE FOR LIFTHANDLE	1
25	MPA 01 050 310	BUSHING	2
26	BR 111 100 200	NYLON BUSHING (10.5/21x2.5)	1
27	BR 112 100 600	NYLON BUSHING WITH COLAR (10/13.5/25x6/2.5)	1
28	BQ 501 060 070	STICKER INFEEDROLLER CONTROL	1
29	BS 512 000 620	BOLT M6X20 DIN 933	2
30	MPA 01 050 290	LIFTHANDLE INFEEDROLLER	1
31	BN 230 100 400	RUBBER GRIP	1
32	BS 512 000 820	BOLT M8X20 DIN 933	2
33	BS 531 000 800	WASHER M8 DIN 125	10
34	BR 112 081 300	NYLON BUSHING WITH COLAR (8/11/16x13/2)	1
35	MPA 01 050 280	ROD FOR SWITCH VALVE CONTROL	1
36/37/38	BH 513 110 602	BANJO TD 131-6LR	2
39	BH 514 100 602	ADAPTOR (M-F) TD 141GG3/8-1/8R	2
40	BH 509 210 604	MALE STUD COUPLING TD 92-6LR 1/4	1

ELIET SPARE PARTS MANUAL

PROF IV (VERSION 2)

ASSEMBLYLIST 2

HYDRO KIT INFEEEDROLLER

MMA 01 050 120-2

ITEM	PART NUMBER	DESCRIPTION	QUANTITY
41	MPA 01 050 250	HYDRAULIC PIPE	1
42	BH 518 500 600	BLANKING PLUG TD 185 GG 3/8"	1
43	BH 530 000 400	BANJO BOLT BB1/4-T	2
44	BH 809 004 200	SEAL 1/4"BSP	4
45	BH 551 040 390	HYDRAULIC PIPE TL 400	1
46	BH 551 040 350	HYDRAULIC PIPE TL 360	1
47	BH 518 500 400	BLANKING PLUG TD 185 GG 1/4"	1
48	BH 400 003 000	HYDRAULIC SWITCH VALVE BM 20/1 1/4"--RB GU A8--	1
49	BA 230 010 800	BALL JOINT M8	2
50	BH 509 251 006	MALE STUD COUPLING TD 92-10LR 3/8 BO	2
51	BH 551 031 670	HYDRAULIC PIPE TL 1730	1
52	BH 331 203 210	HYDRAULIC ENGINE 32CC	1
53	BB 221 105 120	POP PLUG ALU 4.8X10	4
54	BB 341 050 516	KEY 5X5X16	1
55	MPA 01 050 240	PROTECTION PLATE FOR BEARING	1
56	BS 551 100 646	EYEBOLT M6X70 DIN 444	1
57	BR 112 262 111	NYLON BUSHING WITH COLAR (26/35.5/40x21/2)	1
58	BS 522 100 616	SCREW M6X16 DIN 7991	5
59	MPA 01 050 210	HYDRAULIC ENGINE BRACKET	1
60	MPA 01 050 200	INFEEEDROLLER	1
61	MPA 01 050 260	COVER FOR HYDRAULIC TANK	1
62	BS 522 500 610	SCREW M6X10 ISO 7380	6
63	BB 001 000 320	RETAINING RING 32 DIN 471	1
64	BB 341 080 715	KEY 8X7X15	1
65	BR 112 262 112	NYLON BUSHING WITH COLAR (26/35.5/40x21/2)	1
66	MPA 01 050 220	SPACER	1
67	BS 023 000 810	SET SCREW M8X10 DIN 916	2
68	BA 161 021 251	SPROCKET 21T SIMPLEX	1
69	BA 101 040 010	CHAIN SIMPLEX 40L	1
70	MPA 01 050 230	COVER FOR CHAINTRANSMISSION	1
71	BS 534 000 800	LOCK WASHER M8 DIN 6798A	2
72	BS 532 008 254	WASHER M8X25X2	2
73	BS 534 000 600	LOCK WASHER M6 DIN 6798A	1
74	BS 531 200 600	WASHER M6 DIN 7349	1
75	BA 161 011 162	SPROCKET 11T SIMPLEX	1
76	BS 512 000 830	BOLT M8X30 DIN 933	1
77	BR 200 207 250	HYDRAULIC PIPE 7X12X2500	1
78	BT 670 110 180	HOSE CLIP 10X18MM	2
79	BT 136 260 609	HOSE INSERT 3/8"X9MM	1

ELIET SPARE PARTS MANUAL

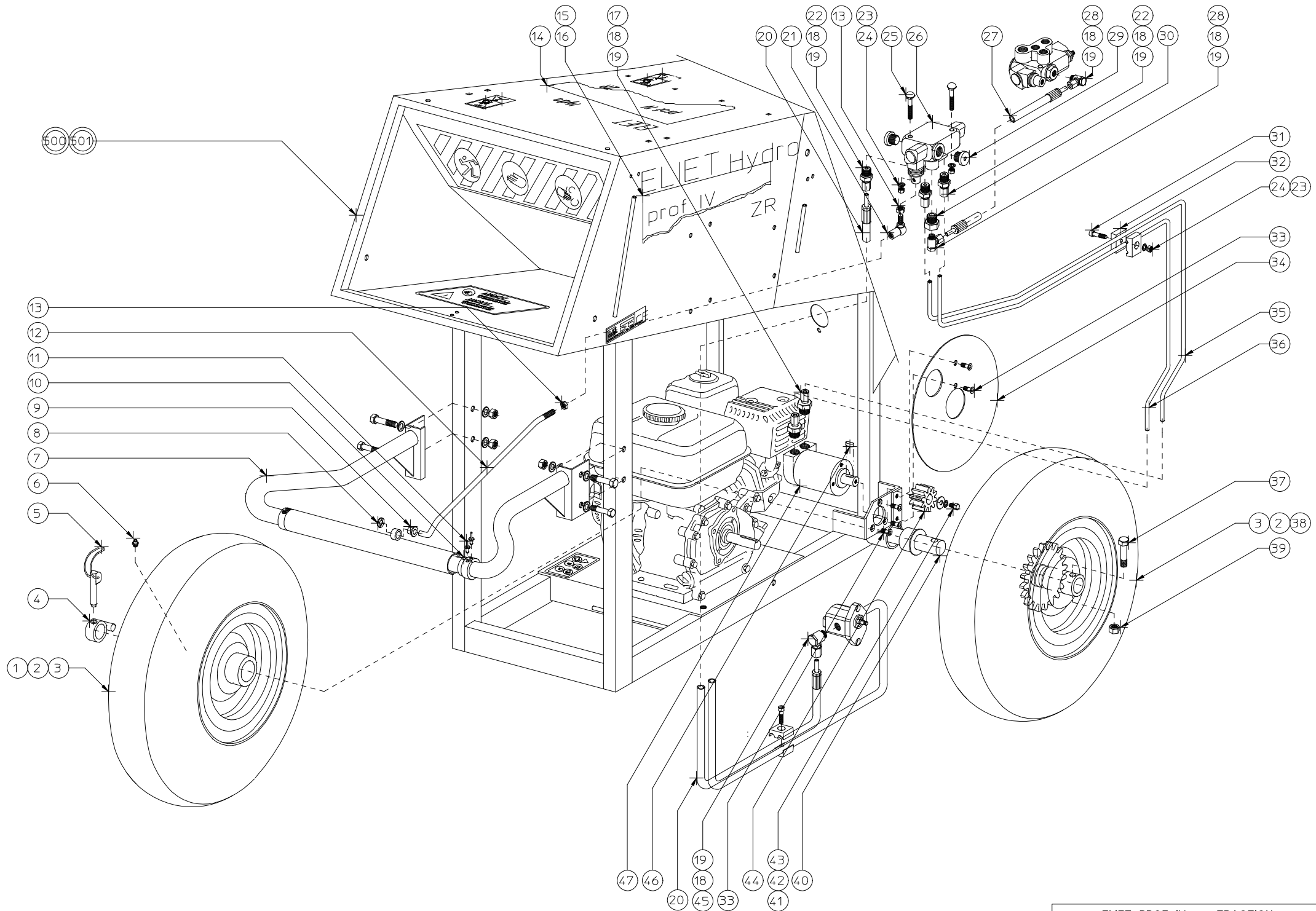
PROF IV (VERSION 2)

ASSEMBLYLIST 2

HYDRO KIT INFEEEDROLLER

MMA 01 050 120-2

ITEM	PART NUMBER	DESCRIPTION	QUANTITY
80	BT 174 282 408	BLANKING PLUG WITH REDUCTION 6/4"x1/2" (M-V)	1
81	BT 174 260 808	ADAPTOR (M-M) 1/2" INW 3/8"	1
82	BH 280 108 000	HYDRAULIC FILTER 1/2"	1
83	BY 100 106 100	GREASE FITTING M6	1
84	MPA 01 050 270	HINGE HYDRAULIC KIT	2
85	BS 502 000 800	SELF LOCKING NUT M8 DIN 985	6
86	BR 112 152 100	NYLON BUSHING WITH COLAR (15.4/18/23x21/1)	2
87	BS 554 100 641	BOLT M6X45 DIN 603	2
88	BT 136 260 409	HOSE INSERT 1/4"X9MM	1
89	BS 501 000 600	NUT M6 DIN 934	1
90	BS 533 000 600	LOCK WASHER M6 DIN 127B	1
91	BA 565 608 001	PULLEY SPA 80 ALU	1
92	BH 210 400 700	HYDRAULIC PUMP TFP 50/0.72 SCO01	1
93	BH 513 130 604	BANJO TD 131-6SR	1
94	MPA 01 050 360	BRACKET FOR HYDRAULIC PUMP	1
95	BS 512 000 825	BOLT M8X25 DIN 933	3
96	MPA 01 050 370	SUPPORT FRAME FOR HYDRAULIC PUMP	1
97	BS 521 100 625	SCREW M6X25 DIN 912	1
98	BH 711 420 010	PIPE CLAMP	1
99	BT 174 300 600	BLANKING PLUG FOR HYDRAULIC TANK 3/8"	1
100	MPA 01 050 190	HYDRAULIC TANK	1
101	BS 522 500 316	SCREW M3X16 ISO 7380	2
102	BE 120 010 503	SAFETY SWITCH	1
103	BB 321 020 206	KEY 2X2.6X6.76	1



ELIET PROF IV -- TRACTION				
NO	MMA-01.050.130	REV	2	DATE 2005/01/03

ELIET SPARE PARTS MANUAL

PROF IV (VERSION 2)

ASSEMBLYLIST 3

WHEELTRANSMISSION

MMA 01 050 130-2

ITEM	PART NUMBER	DESCRIPTION	QUANTITY
1	BW 708 025 030	RIM 300DX8 + CAM	2
2	BW 914 500 020	TIRE 5.00-8	2
3	BW 914 500 030	TUBE 5.00-8	2
4	MPA 01 050 470	CAM FOR WHEELTRACTION	1
5	BB 040 410 050	LOCKING PIN 10MM	1
6	BY 100 106 100	GREASE FITTING M6	1
7	MPA 01 050 380	BRACKET ZR	1
8	BB 011 000 080	STARLOCK 8MM	1
9	BR 112 081 300	NYLON BUSHING WITH COLAR (8/11/16x13/2)	1
10	BR 910 000 010	NYLON BUSHING WITH COLAR (25/30/34x30/15)	2
11	BB 221 104 100	POP RIVET ALU 3.9X10 DIN 7337	4
12	MPA 01 050 390	ROD FOR HYDRAULIC VALVE	1
13	BS 501 000 800	NUT M8 DIN 934	2
14	BQ 501 050 090	STICKER ZR	3
15	BQ 501 050 040	STICKER ELIET PRO IV HYDRO (R)	1
16	BQ 501 050 030	STICKER ELIET PRO IV HYDRO (L)	1
17/18/19	BH 509 210 606	MALE STUD COUPLING TD 92-6LR 3/8	2
20	BH 551 031 080	HYDRAULIC PIPE 1080 FL	1
21	BA 230 010 800	BALL JOINT M8	1
22	BH 509 210 604	MALE STUD COUPLING TD 92-6LR 1/4	3
23	BS 502 000 600	SELF LOCKING NUT M6 DIN 985	3
24	BS 531 000 600	WASHER M6 DIN 125	3
25	BS 554 100 641	BOLT M6X45 DIN 603	2
26	BH 400 004 000	HYDRAULIC VALVE BM 20/1 1/4"--RB A1--	1
27	BH 551 030 600	HYDRAULIC PIPE 600 FL	1
28	BH 513 110 602	BANJO TD 131-6LR	2
29	BH 518 500 600	BLANKING PLUG TD 185 GG 3/8"	2
30	BH 514 100 602	ADAPTOR (M-F) TD 141GG3/8-1/8R	1
31	BS 511 000 635	BOLT M6X35 DIN 931	1
32	BH 710 620 010	PIPE CLAMP	1
33	BS 522 100 616	SCREW M6X16 DIN 7991	5
34	MPA 01 050 450	COVER FOR WHEELTRANSMISSION	1
35	MPA 01 050 430	HYDRAULIC PIPE HYDRO-ENGINE (IN)	1
36	MPA 01 050 440	HYDRAULIC PIPE HYDRO-ENGINE (OUT)	1
37	BS 511 001 042	BOLT M10X50 DIN 931	1
38	BW 708 025 040	RIM 300DX8 + SPROCKET	1
39	BS 502 001 000	SELF LOCKING NUT M10 DIN 985	2
40	MPA 01 050 460	WHEELSHAFT ZR	1
41	BS 512 000 616	BOLT M6X16 DIN 933	1

ELIET SPARE PARTS MANUAL

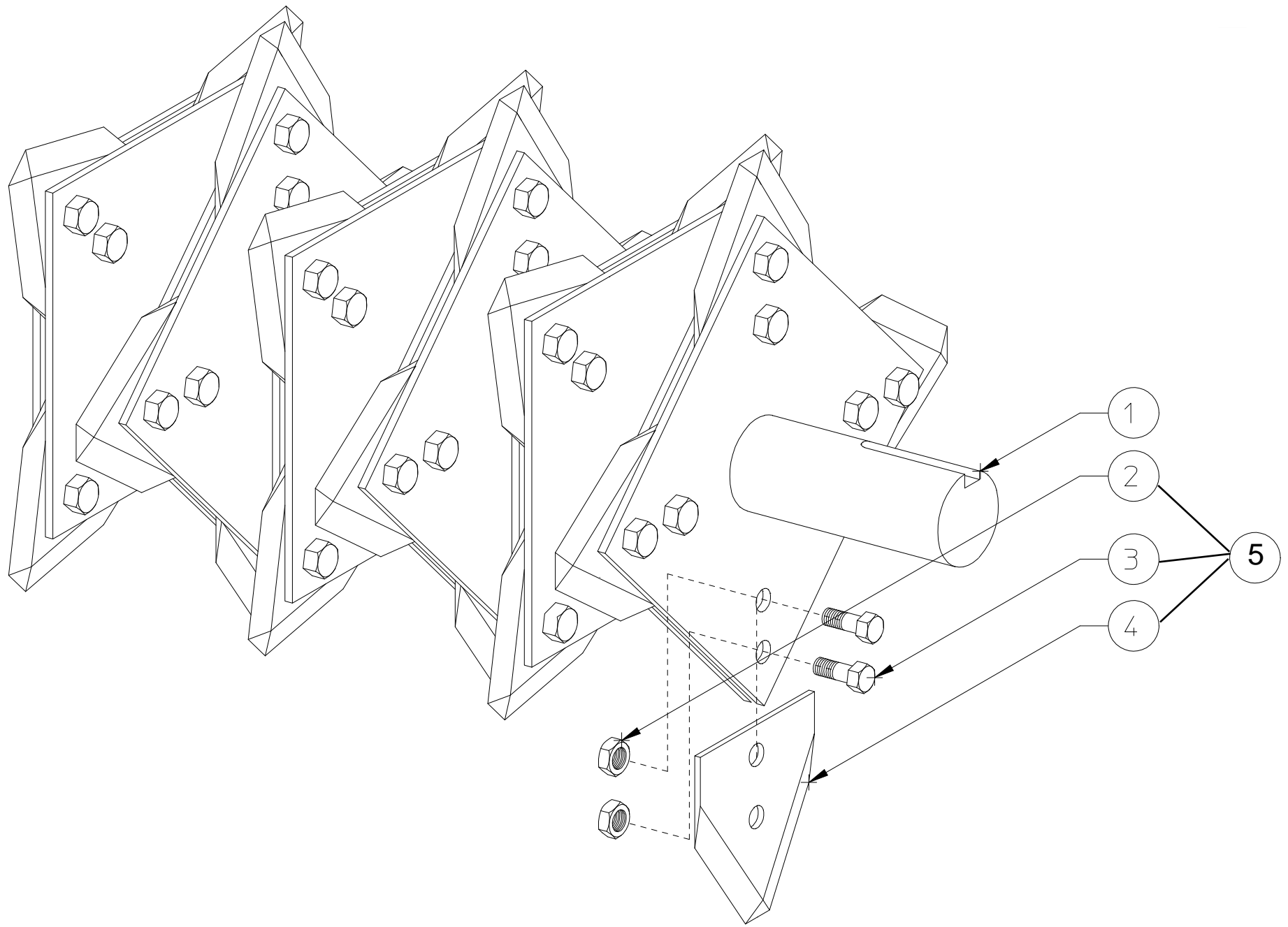
PROF IV (VERSION 2)

ASSEMBLYLIST 3

WHEELTRANSMISSION

MMA 01 050 130-2

ITEM	PART NUMBER	DESCRIPTION	QUANTITY
42	BS 534 000 600	LOCK WASHER M6 DIN 6798A	1
43	BS 531 200 600	WASHER M6 DIN 7349	1
44	BA 600 401 201	SPROCKET 12T MOD3	1
45	BH 513 130 604	BANJO TD 131-6SR	1
46	BB 341 050 516	KEY 5X5X16	1
47	BH 331 203 210	HYDRAULIC ENGINE 32CC	1



ELIET PROF IV -- ROTOR					
NO	MMA-01.050.140	REV	1	DATE	2004/08/30

ELIET PARTS MANUAL

PROF IV (VERSION 2)

ASSEMBLYLIST 4

ROTOR

MMA 01 050 140-1

ITEM	PART NUMBER	DESCRIPTION	QUANTITY
1	MPA 01 050 500	ROTOR	1
2	BS 502 000 800	SELF LOCKING NUT M8 DIN 985	48
3	BS 011 000 822	BOLT M8X22 DIN 931	48
4	BU 101 200 300	KNIFE 83X76X3	24
5	BU 401 200 303	SET 24 LAME E VITI PROF3 PROF4 PROF5	1